

HY CT - 30 / 34A

HY-CT30/34A Compatible to SLD-HY34CC-30Kw-170/30

TECHNICAL DETAILS	
Effective Motor Displacement [CC]	1250
Hydraulic Motor with gear	Radial Piston
Gear Box reduction ratio	5:1
Peak Torque	6650Nm
Maximum continues Torque	4750
Peak Speed	140rpm
Maximum Continues Speed	90rpm
Peak Power	48Kw
Maximum Continues Power	30Kw
Approx Weight in Kg	110Kg



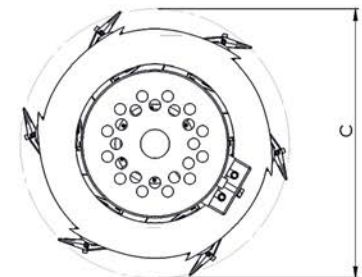
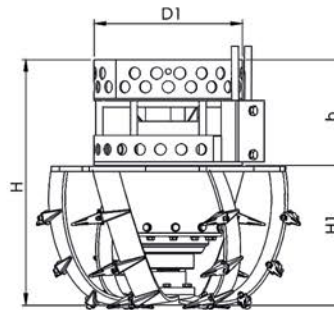
Compatible Model

MATERIAL	
Strainer [MS Fabricated]	Galvanised
·Cutter [adaptors] HB 390-440 Hardness	Alloy Steel
·Cutter [Tips] HB 470-510 Hardness	Alloy Steel

* [ESTI] ITALY

LUBRICANT	
Hydraulic Fluid ISO-VG	68-Cst

DIMENSIONS [mm]				
H	h1	h	D1	c
700	400	300	421	770



INPUT FLOW TO HYDRAULIC MOTOR

- Oil flow LPM - 60 ltr.
- Maximum operating pressure - 250 bar or PSI - 3550



INDRA HYDRO TECH PUMPS PVT LTD

No.85/M, Ground Floor, Industrial Suburb, 2nd Stage, Tumkur Road, Yeshwanthpur, Bangalore 560 022, Karnataka, INDIA
 Tel.: +91 80 4163 5638, Mob.: +91 87621 48219 / 80736 22800, Email: contact@ihpindia.in, Web: www.ihpindia.in